



## Excavator SWE 40UB



Operating Weight	4.13t(rubber track)/4.22t(steel track)
Engine Power	23.8kW/2300rpm
Engine Brand	KUBOTA
Standard Bucket Capacity	0.11m <sup>3</sup>
Max. Digging Depth	2.85m

### Excavator SWE40UB

#### Parameter

##### ENGINE

Brand	KUBOTA
Model	D1803-M-DI-E3B-SWD-1
Type	3-cylinder 4-stroke water-cooled
Displacement	1.826L
Power	23.8kW/2300rpm

##### DIMENSIONS

Counterweight Clearance	567mm
Tail Swing Radius	860mm
Shipping Length	4950mm
Shipping Width	1745mm
Shipping Height	2540mm

##### ELECTRIC SYSTEM

Nominal Voltage	12V
Batteries	63Ah
Alternator	12V-55A
Starter	12V-2.0kW

##### WORKING RANGES

Max. Cutting Height	5002mm
Max. Loading Height	3502mm
Max. Digging Depth	2850mm
Max. Vertical Wall Digging Depth	2593mm
Max. Digging Reach	5441mm
Max. Reach at Ground Level	5302mm
Bucket Digging Force	27.4kN
Stick Digging Force	19.8kN
Ground Pressure	36kPa
Swing Speed	9rpm

##### DRIVE

Max. Travel Speed (2nd/1st)	4.3/2.7km/h
Gradeability	30°
Max. Traction	33.5kN

##### UNDERCARRIAGE

Undercarriage Width	1740mm
Shoe Width	300mm
Length to Center of Rollers	1650mm
Track Length	2143mm
Track Height	522mm

##### CAPACITY

Fuel Tank	40L
Hydraulic Oil Tank	43L

##### BULLDOZING BOARD

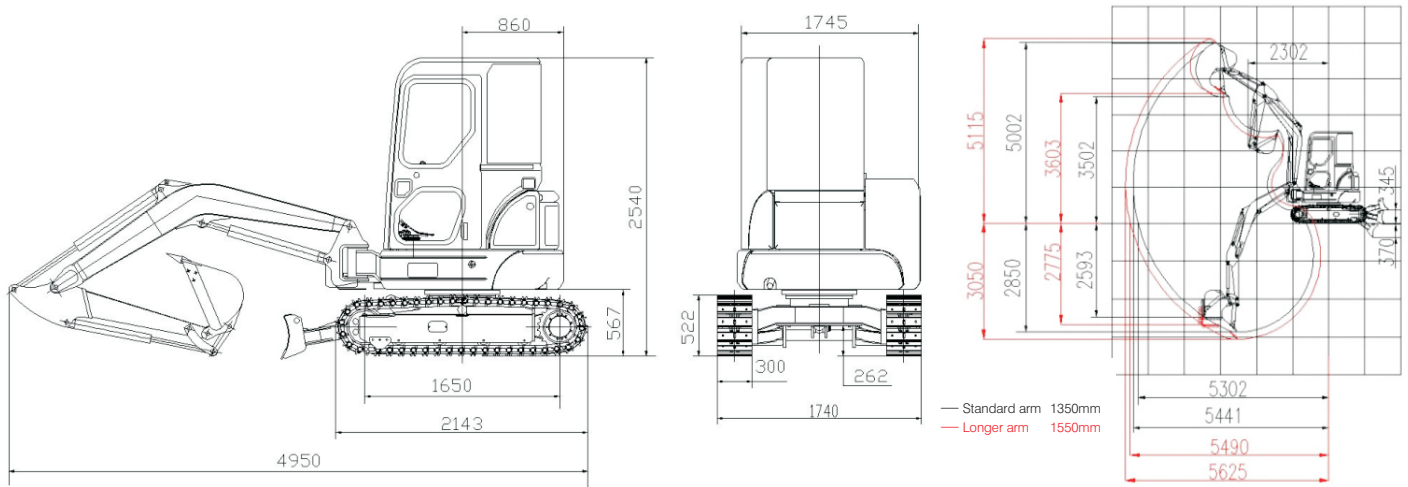
independent moving, controlled by the gear shift lever	
Length X Width	1740X349mm
Max. Lifting Height	345mm
Max. Cutting Depth	370mm

##### HYDRAULIC SYSTEM

Main Pumps	
Type	2 variable displacement pumps, 1 gear pump
Displacement	2x39+27 L/min
Working Pressure	23.5/20 MPa

# Excavator SWE 40UB

## Working Ranges



## Load Capacity (standard arm: 1.35m)

B(m)	A(m)	MAX		4.0m		3.0m		2.0m	
		Front(kg)	Side(kg)	Front(kg)	Side(kg)	Front(kg)	Side(kg)	Front(kg)	Side(kg)
3.0		669.90*	457.50	665.55*	761.25	970.05*	810.00	—	—
2.0		712.40*	390.00	891.75*	753.15	1035.30*	843.75	1196.25*	1125.00
1.0		765.60*	375.00	887.40*	483.75	1335.45*	753.75	1922.70*	1029.25
0.0		783.00*	393.75	1035.30*	472.50	1183.20*	705.00	1583.40*	1065.00
-1.0		783.00*	435.00	835.20*	487.50	1039.65*	652.50	1583.40*	978.75
-2.0		506.40*	501.60*	—	—	501.60*	501.60*	554.30*	544.70*

## Notes:

- 1) Load with \* is limited by hydraulic capacity and based on ISO 10567. Rated loads do not exceed 87% of hydraulic capacity.
- 2) Load without \* is limited by tipping load and based on ISO 10567. Rated loads do not exceed 75% of tipping load.

### ■ SUNWARD INTELLIGENT EQUIPMENT CO.,LTD.

Add: Sunward Intelligent Industrial Park, Xingsha, Changsha, 410100, China.

Tel: (0086-731) 83572 828 Fax: (0086-731) 83572 661

E-mail: international@sunward.com.cn

Web: www.sunward.com.cn

### ■ SUNWARD EUROPE HEAVY INDUSTRY NV

Add: Nijverheidspark 3, 3580 Beringen, Belgium

Tel: (0032-011) 434666

E-mail: eu@sunward.cc

